

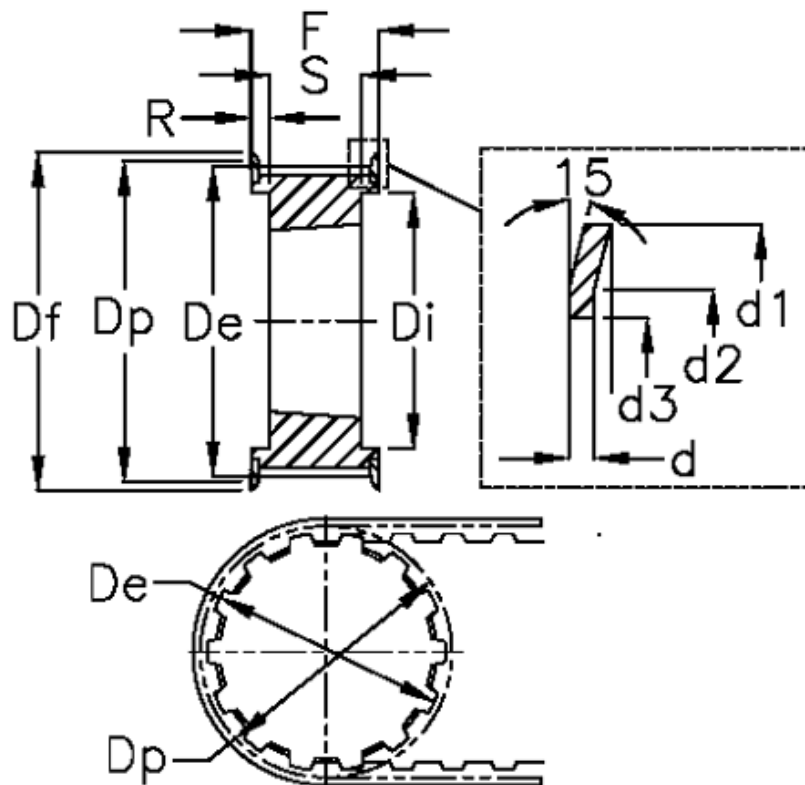
# Data Sheet



Article number: 604132038085

Description: Taper bored timing belt pulley  
HTD 38 8M 85 TL 1615

## Measures



d = 1.5	F = 95	Weight = 2.2
d1 = 102	Flange type = F34	Width = 85
d2 = 97	For bushing = 1615	
d3 = 82.5	Max bore = 42	
De = 95.39	r = 28.5	
Df = 102	S = 38	
Di = 72	Tooth number = 38	
Dp = 96.77	Type = 8M	